

TRAILERS **TRIGANO**

Sun way

R E M O R Q U E S





Édition

Sailing means freedom. But sailing on all types of water, from the coast to alpine lakes, the great rivers to the coast of Corsica or Greece, is even better! By choosing a Sun way trailer, you're opting for safety on the road and efficient handling.

On boat launching slipways and holiday routes, Sunway Boat Carrier trailers have become the best-selling trailers in France.

As a partner of the biggest boat brands and many sailing events, and by being in constant contact with users and listening to our network, we've managed to improve our products year after year.

Numerous innovations are contained in this catalogue, which help us to remain the market leaders.

From the boat carrier to the 3.5 tonne submersible trailer, the full range of our products is in this catalogue, which will help you make the right choice.

Our network of professional distributors, present throughout France and in the main European countries, is at your disposal to provide you with information and offer the perfect trailer to match your needs.

Have a safe trip, and happy sailing!

SUNWAY RIALCO CONTENTS

Contents

05

**SAFETY
POINT**

14

**TIPPING TOWBAR
RANGE**

21

**HANDLING
RANGE**

06

**OUR
DEVELOPMENTS**

16

**INFLATABLE
RANGE**

22

**DOLLIES
RANGE**

07

**OUR
GUIDE**

17

**JET
RANGE**

23

**SPARE WHEELS
AND SUPPORTS**

08

**FAST
RANGE**

18

**BOAT CARRIER
RANGE**

24

**OUR
ACCESSORIES**

12

**GALAXY
RANGE**

20

**CRANE SAILBOATS
RANGE**

26

**OUR
PARTNERS**

Permit, payload and GAW

Permit B



GAW ≤ 3500 kg GAW ≤ 750kg



GAW ≤ 750kg

&

MV ≥ 2x GAW

Permit B



GAW ≤ 3500kg GAW ≤ 750kg
& GAW + GAW ≤ 3500kg



GAW > 750kg

or

MV ≤ 2x GAW

Permit B
code96



GAW ≤ 3500kg GAW ≤ 750kg
& GAW + GAW ≤ 4250kg



GAW ≤ 500kg

Permit BE



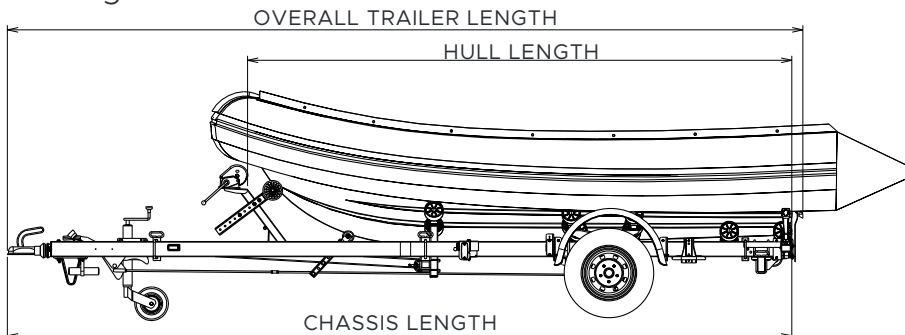
GAW ≤ 3500kg GAW ≤ 3500kg



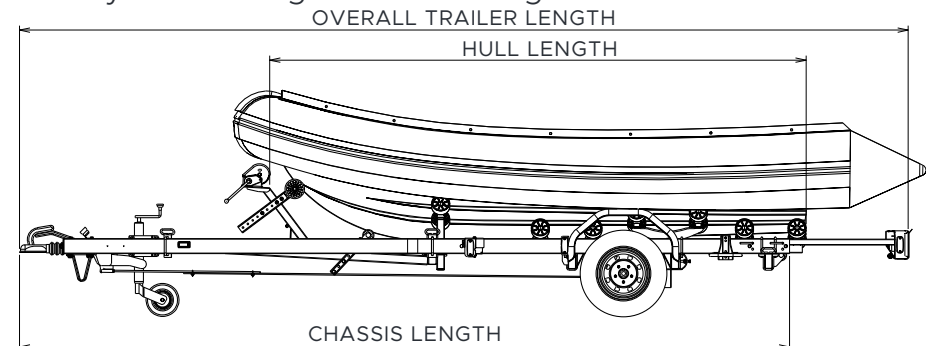
GAW > 500kg

Max and overall lengths

Fast range



Galaxy and Tilting Drawbar range



Derating

LIDER		
e2*2007/46*0199*11		
VN52L110M20160137		
	1350 kg	
0	-	100 kg
1	-	1350 kg
2	-	- kg

			(12)
PV	380	kg	
PTAC	1350	kg	
lxL	2,14x7,04	m	
S	15,07	m2	
			G1000M1610M201600083

Reduction GAW = Reduction PL*

Example:

G1000M16: GAW: 1350 kg / PL: 970 kg

if GAW derating: 1200 kg then PL = 970 kg - 150 kg

Attention, change possible BEFORE REGISTRATION only

Possible GAWs (contact the dealer)

*PL: Payload



Oil bath hubs

Thanks to its transparent cap, the oil bath hub means you can check the proper lubrication of the bearings and that there is no water in the hub.



Disc brakes with oil bath hubs

Guaranteed sealed axle bearings. Oil bath hubs with visual inspection featured on all Fast range trailers, braked and unbraked.

SUN WAY guarantees its axles in the FAST range for two years.



LED lights

LED lights mean lower consumption, but above all, better lighting reliability: no more popping filaments or disconnecting bulbs:



Stainless steel fittings

The flanges, brake transmission and screws are in A4 marine-quality stainless steel.

The wings are in stainless steel.



Step roller kit

STEP roller kits can be fitted to the majority of trailers in the Sun way range. They allow any type of hull to be easily mounted on the trailer. Particularly effective on the Fast range!



Watertight LED lights

Optics and connectors for immersion-proof lights.

SUN WAY guarantees its watertight lights for two years.



Galaxy^{2.0}

GALAXY *Galaxy* 2.0

WELCOME TO SAILING IN COMPLETE FREEDOM!

With more than 30 000 Galaxy trailers sold since Sunway became part of Lider, we've had plenty of time to prove the strength and reliability of this historic range.

Now is the time to upgrade it, now called **Galaxy 2.0**.

Equipped with a central tilting track, the boat remains centred on its rollers throughout loading and unloading, maintaining a triangulated structure.

This new Galaxy 2.0 makes handling easy, while retaining its road qualities.

Available options

- Electric winches
- Walkway
- Specific equipment for step hulls
- Flushing kit
- Waterproof fixed LED lights



Unbraked | Braked 1 axle

Unbraked | Braked 1 axle

GS75 | GS09 | GS12 | GS13 | GS16 | GS18

TBS16
with multi-roller kit



Model	Max GAW (kg)	EW (kg)	Wheels	Max payload (kg)	Chassis length (m)	Hull length (m)	Overall width (m)	Overall length (m)
UNBRAKED								
GS75	750	190	155/70 R 13	560	5.15	4.80	1.83	5.99
BRAKED 1 AXLE								
GS09	900	330	175/70R13	570	5.7	4.90	2.07	6.78
GS12	1200	350	165R13C	850	5.7	4.90	2.07	6.78
GS13	1350	370	165R14C	980	6.18	5.52	2.17	7.27
GS16	1600	400	185R14C	1200	6.18	5.52	2.17	7.27
GS18	1800	440	195R14C	1360	6.68	6.02	2.17	7.77



All these unbraked trailers are equipped with oil bath hubs

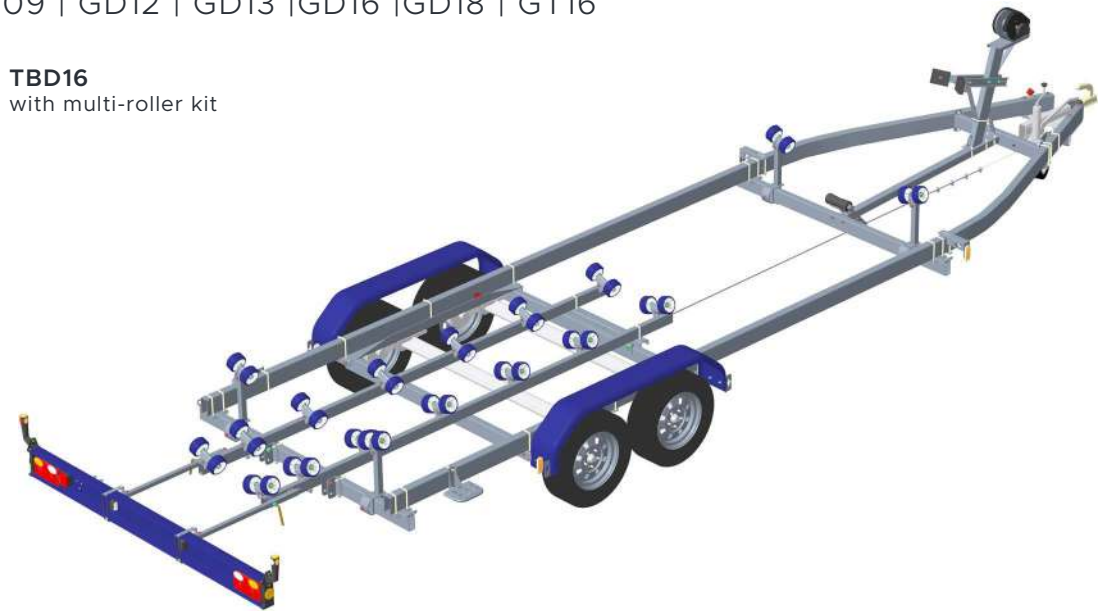




Braked 2 axles / Braked 3 axles

GD09 | GD12 | GD13 | GD16 | GD18 | GT16

TBD16
with multi-roller kit



Model	Max GAW (kg)	EW (kg)	Wheels	Max payload (kg)	Chassis length (m)	Hull length (m)	Overall width (m)	Overall length (m)
BRAKED 2 AXLES								
GD09	1800	480	175/70R13	1320	6.68	6.05	2.18	7.76
GD12	2400	540	165R13C	1860	7.16	6.45	2.33	8.24
GD13	2700	555	165R14C	2145	7.16	6.45	2.33	8.24
GD16	3200	640	185R14C	2560	7.69	6.95	2.33	8.77
GD18	3500	665	195R14C	2835	7.69	6.95	2.33	8.77
BRAKED 3 AXLES								
GT16	3500	890	185R14C	2610	9.19	8.55	2.32	10.4

Info: Max overall length = chassis length + 75cm

* modification of the GAW is not possible after ordering



Fast Immersible range

Introduced on the market in 2011, the immersible trailers in our Fast range were a real revolution.

- | Much easier to use thanks to the recommendations for use: you can lower the trailer right into the water until the boat is floating, without removing the lights, which are sealed and fixed.
- | Exceptional handling and braking thanks to its disc brakes

- | Much easier maintenance monitoring with oil bath hubs with transparent hub caps.
- | Delayed ageing with stainless steel fittings, disc brakes that can be rinsed directly, and easy to grease.



D1857
with multi-roller kit

Unbraked

D1655 | D1857
Runner kit or multi-roller kit



Model	Max GAW (kg)	Wheels	Max payload	Chassis length (m)	Hull length (m)
D1655	500	500 x 10	342 kg	5.00	4.30
		135R13	336 kg	5.00	4.30
D1857	750	155/70R13	550 kg	5.30	4.60



All these unbraked trailers are equipped with oil bath hubs



D1613
with runner / roller kit

Braked 1 axle

D1611 | D1613 | D1615 | D1616 | D1618
Runner / roller kit, multi-roller kit or step hull kit



Model	Max GAW (kg)	Wheels	Max payload	Chassis length (m)	Hull length (m)	Long rails
				Short rails	Short rails	
D1611	1000	185/70R13	660 kg	5.70	4.70	+ 60 cm
D1613	1350	165R14C	940 kg	6.20	5.20	+ 80 cm
D1615	1500	175R14C	1070 kg	6.50	5.50	+ 80 cm
D1616	1600	195/70R15C	1160 kg	6.50	5.50	+ 80 cm
D1618	1800	195/70R15C	1300 kg	6.50	5.50	+ 100 cm

Info: Payload reduction for long rail versions



Braked 2 axles



D1621 | D1623 | D1625 | D1628

Runner / roller kit, multi-roller kit or step hull kit

Model	Max GAW (kg)	Wheels	Max payload	L.chassis (m)	L. hull (m)	Long rails
				Short rails	Short rails	
D1621	2000	185/70R13	1460	7.10	6	+ 100 cm
D1623	2700	165R14C	2010	7.60	6.50	+ 60 cm
D1625	3000	175R14C	2290	7.70	6.70	+ 140 cm
D1628	3500	195/70R15C	2760	7.70	6.70	+ 140 cm

D1628
with multi-roller kit

Description of kits

Trailers covered	RUNNERS / ROLLERS KIT				MULTI-ROLLER KIT		
	Runner L in metres x qty	Left tipper x qty	Right tipper x qty	Jack stands x qty	Left tipper x qty	Right tipper x qty	Jack stands x qty
D1655	2m x 2	-	-	-	DT x 1	DT x 1	SJS x 2
D1657	2m x 2	-	-	-	DT x 2	DT x 2	SJS x 4
D1611	3m x 2	-	-	-	DT x 2	DT x 2	SJS x 2 - DJS x 2
D1613 - D1615 - D1616	3m x 2	TT x 1	TT x 1	-	TT x 2	TT x 2	SJS x 2 - DJS x 2
D1618	3m x 2	TT x 1 - DT x 1	TT x 1 - DT x 1	-	TT x 2 - DT x 1	TT x 2 - DT x 1	SJS x 2 - DJS x 4
D1621	3m x 2	TT x 1 - DT x 1	TT x 1 - DT x 1	SJS x 2	TT x 2 - DT x 1	TT x 2 - DT x 1	SJS x 2 - DJS x 4
D1623 - D1625 - D1628	3m x 2	TT x 2 - DT x 1	TT x 2 - DT x 1	SJS x 2	TT x 3	TT x 3	SJS x 2 - DJS x 4

DT: Double Tipper - TT: Triple Tipper - SJS: Single Jack Stand - DJS: Double Jack Stand

Welded chassis



Braked 2 axles welded chassis



D1623SN | D1625SN | D1628SN

Multipurpose boat trailers: with propeller shafts, water skis...
Runners kit

Model	Max GAW (kg)	Wheels	Max payload	Chassis length (m)	Hull length (m)
D1623SN	2700	165R14C	2010 kg	7.10	6
D1625SN	3000	175R14C	2290 kg	7.70	6.70
D1628SN	3500	195/70R15C	2700 kg	8.50	7.40

Available with adjustable stand option: S32026

D1628SN
with runners kit

Welded chassis range

Welded chassis trailer for specific boat range (Bénéteau Flyer, Jeanneau Cap Camarat, Bayliner Element...) Specific manufacturer range.

G1260CC17



RANGE Tipping Towbar

Unbraked | Braked 1 axle



SW535M16
with central roller path



SW845M16
with central roller path

Unbraked

SW385M16 | SW535M16



Model	Max GAW (kg)	Wheels	Max payload	Chassis length (m)	Hull length (m)
SW385M16	500	500x10	350 kg	5.00	4.60
		135R13	344 kg		
SW535M16	750	155/70R13	560 kg	5.00	4.60



All these unbraked trailers are equipped with oil bath hubs

Braked 1 axle

SW655M16 | SW845M16 | SW1005M16 | SW1265M16



Model	Max GAW (kg)	Wheels	Max payload	Chassis length (m)	Hull length (m)
SW655M16	900	175/70R13	650 kg	5.50	4.70
SW845M16	1200	165R14C	900 kg	5.70	4.80
SW1005M16	1300	165R14C	990 kg	6.00	5.00
SW1265M16	1600	185R14C	1240 kg	6.10	5.20

Info: Max overall length = chassis length + 75cm



Braked 2 axles



SW1405M16 | SW1665M16 | SW2025M16
with central roller path

SW1665M16
with central roller path



Model	Max GAW (kg)	Wheels	Max payload	Chassis length (m)	Hull length (m)
SW1405M16	1800	175/70R13	1360 kg	6.90	5.90
SW1665M16	2120	185/70R13	1610 kg	7.40	6.40
SW2025M16	2500	165R14C	1980 kg	7.40	6.50

Info: Max overall length = chassis length + 60cm

RANGE Inflatable

ATAVABLE

Unbraked



SW225Pn12



SW345Pn12

Unbraked

SW225PN12 | SW265PN12 | SW345PN12
Equipment for inflatable boats

Model	Max GAW (kg)	Wheels	Max payload	Chassis length (m)	Hull length (m)
SW225Pn12	360	500x10	236 kg	4.00	3.60
		135R13	230 kg		
SW265Pn12	500	500x10	340 kg	4.50	4.20
		135R13	334 kg		
SW345Pn12	500	500x10	335 kg	4.70	4.40
		135R13	329 kg		



All these unbraked trailers are equipped with oil bath hubs





G500J20
with Jet-ski equipment

Unbraked

G250J14 | G500J20
Jet-ski equipment

Model	Max GAW (kg)	Wheels	Max payload
G250J14	500	500x10	380kg
		135R13	370 kg
G500J20	650	155/70R13	500 kg



The G500J20 is equipped with oil bath hubs

Double Jet-ski Fast



D2057J | D1613J
Double Jet-ski equipment



D1613J
with Jet-ski equipment

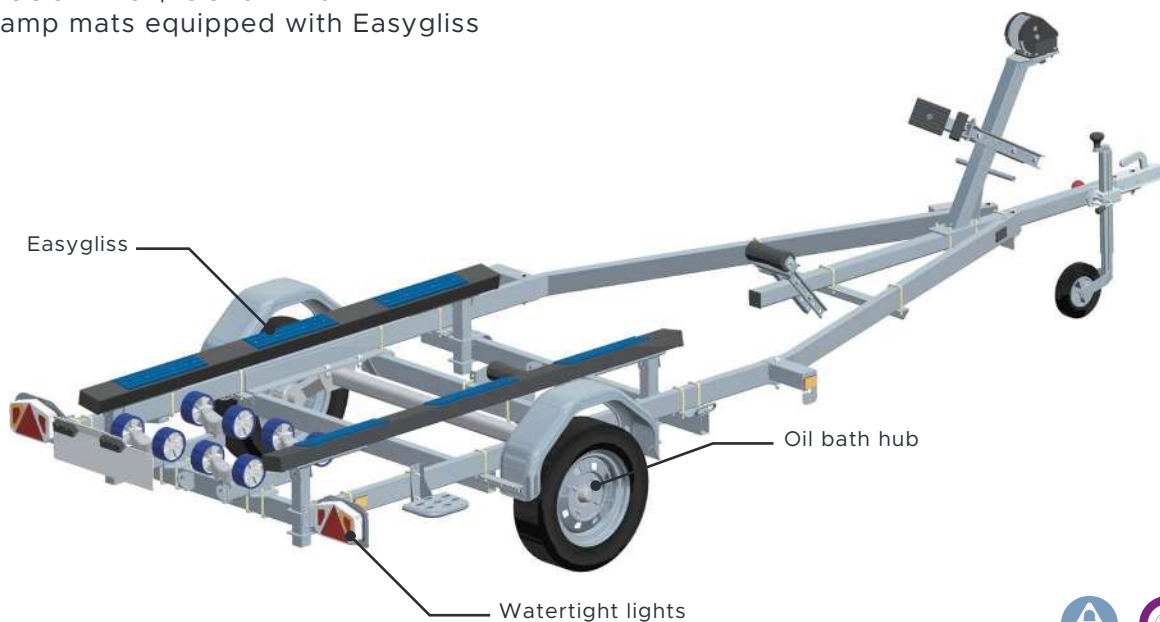
Model	Max GAW (kg)	Wheels	Max payload
UNBRAKED			
D2057J	750	155/70R13	450 kg
BRAKED 1 AXLE			
D1613J	1350	165R14C	990 kg

RANGE Bass Boat BOAT

Unbraked

Unbraked

G380PT19 | G510PT19
Ramp mats equipped with Easygliss



Model	Max GAW (kg)	Wheels	Max payload	Chassis length (m)	Hull length (m)
G380PT19	500	500 x 10	320 kg	5.00	4.60
		135R13	314 kg		
G510PT19	750	155/70 R13	520 kg	5.10	4.70
Option		Designation			
S38001 for G510PT18		2 additional double tippers in the middle of the trailer			



BASS BOAT RANGE

Bass Boat

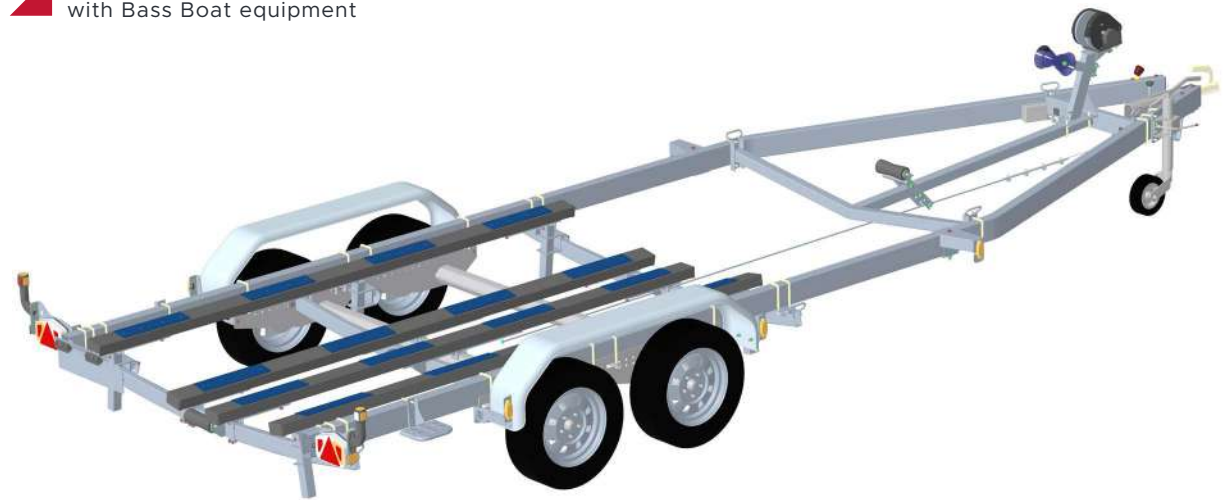
Braked 1 & 2 axles



Braked 1 axle | Braked 2 axles

G1000PT20 | G1340PT20 | GT1602PT20 | G1942PT20

G1942PT20
with Bass Boat equipment



Model	Max GAW (kg)	EW (kg)	Wheels	Max payload (kg)	Chassis length (m)	Hull length (m)	Overall width (m)	Overall length (m)
BRAKED 1 AXLE								
G1000PT20	1350	420	165R14C	930	6.48	5.4	2.52	6.62
G1340PT20	1800	480	195R14C	1320	6.78	6.9	2.52	6.91
BRAKED 2 AXLES								
G1602PT20	2120	550	185/70R13	1570	7.13	7.25	2.53	7.26
G1942PT20	2500	570	165R14C	1930	7.13	7.25	2.53	7.27

SUNWAY RANGE Sailboat carrier

Braked 1 & 2 axles



TBSV13
with sailboat kit

Braked 1 axle

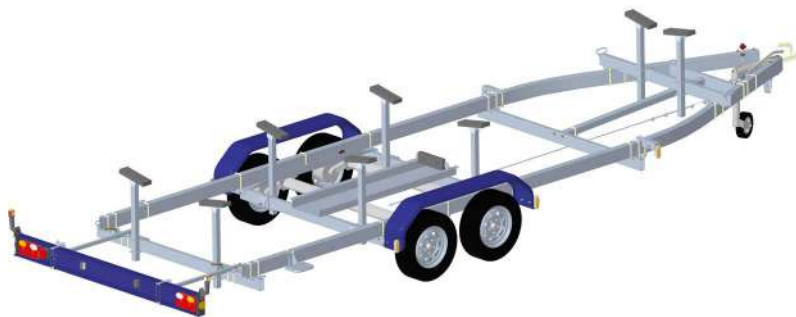
TBSV09 | TBSV12 | TBSV13 | TBSV16 | TBSV18
Sailboat kit / Large draft kit

Model	Max GAW (kg)	Wheels	Max payload	Chassis length (m)
TBSV09	900	175/70R13	570 kg	5.70
TBSV12	1200	165R14C	850 kg	5.70
<i>if the draft > 60 cm, add the Large Draft Kit S40021</i>				
TBSV13	1350	165R14C	980 kg	6.18
TBSV16	1600	185R14C	1200 kg	6.18
TBSV18	1800	195R14C	1360 kg	6.68
<i>if the draft > 60 cm, add the Large Draft Kit S40022</i>				

Braked 2 axles

TBDV09 | TBDV12 | TBDV13 | TBDV16 | TBDV18
Sailboat kit / Large draft kit

Model	Max GAW (kg)	Wheels	Max payload	Chassis length (m)
TBDV09	1800	175/70R13	1320 kg	6.68
TBDV12	2400	165R13C	1860 kg	7.16
TBDV13	2700	165R14C	2145 kg	7.16
TBDV16	3200	185R14C	2560 kg	7.70
TBDV18	3500	195R14C	2835 kg	7.70
<i>if the draft > 60 cm, add the Large Draft Kit S40024</i>				



TBDV12
with large draft kit

SMALL BOAT CARRIER

RANGE *Small Boat Carrier*

Unbraked | Double Jet-ski Fast

Small boat carrier



SW220MP12

Important: Cannot be sold without an option S28026, S28027 or S28028.



Model	Max GAW (kg)	Wheels	Max payload
SW220MP12	360	400 x 10	260 kg



All these unbraked trailers are equipped with oil bath hubs

Options

Reference	Designation	Weight
S28023	Jockey wheel	5 kg
S28024	Winch + Support	8 kg
S28025	Spare wheel + Clamp	6 kg

Reference	Designation	Jack stand height
S28026	Ramps for Small Boat Carrier	-
S28027	Rollers for Motorboat	350 mm
S28028	Runners for Inflatable	350 mm



S28023



S28024



S28025



SW220MP12 + S28026
Ramps for small boat carrier



SW220MP12 + S28027
Rollers for motorboats

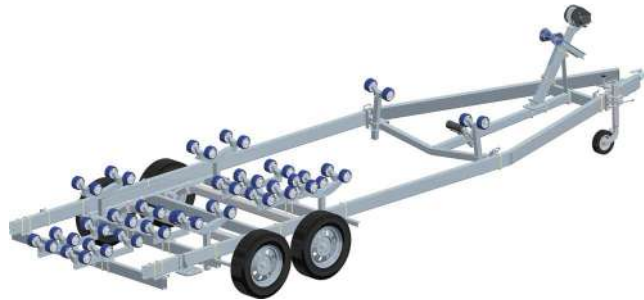


SW220MP12 + S28028
Runners for inflatable

Tilting Towbar | Unbraked



SW1400MA21
with tilting drawbar kit + fixed axle frame



G1942MA16
Galaxy design + Suspension axles



MA1828SN
Fast design + Suspension axles + Runner kit

Tilting Drawbar design

SW700MA21 | SW1000MA21 | SW1400MA21 | SW2400MA21

Model	Max GAW (kg)	Wheels	Max payload	L. trailer
SW700MA21	900	195/50R13C	700 kg	5.30 m
SW1000MA21	1300	165R14C	1000 kg	6.60 m
SW1400MA21	1700	195R14C	1400 kg	6.80 m
SW2400MA21	2700	165R14C	2300 kg	8 m

Galaxy design - Unbraked

G1000MA16 | G1340MA16 | G1942MA16

Model	Max GAW (kg)	Wheels	Max payload	Chassis length (m)	Hull length (m)
G1000MA16	1350	165R14C	1010 kg	6.20	5.50
G1340MA16	1800	195R14C	1365 kg	6.50	5.80
G1942MA16	2700	165R14C	2175 kg	7	6.20

Fast welded chassis design - Unbraked

MA1828SN
Runner kit, multi-roller kit

Model	Max GAW (kg)	Wheels	Max payload	Chassis length (m)	Hull length (m)
MA1828SN	3500	195R14C	2865 kg	8.40	7.40



Wheeled dollies

S33001 | S35001



S33001
Wheeled dollies

S35001
Wheeled dollies

Reference	Payload	Dimensions (metres)
S33001	1.2 Tonnes	1.3 x 1
S35001	2.5 Tonnes	3.2 x 1.4

Display dollies

S30018
Set of 3 dollies. Payload: 2 Tonnes.



Storage dollies

S01360 | S32019 | S01359 | S32018
Front or rear dollies



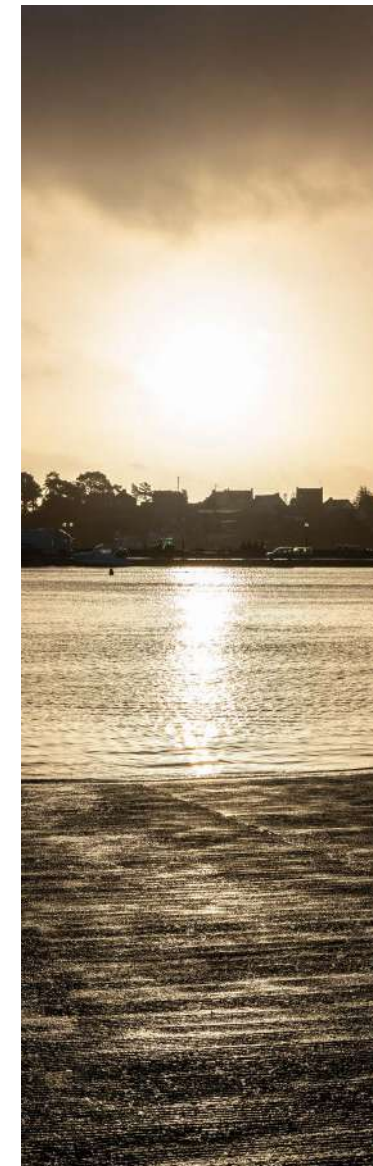
S01360 | S32019
Rear dolly

S40016
Front dolly

Model	Position	Payload runners positioned as low as possible	Payload runners positioned as high as possible
S01360	Rear	1 Tonne	0.6 Tonne
S32019	Rear	3 Tonnes	1.75 Tonnes
S01359	Front	1 Tonne	0.6 Tonne
S32018	Front	3 Tonnes	1.75 Tonnes
S40016	Front	3 Tonnes	1.5 Tonnes

Podium dollies

S38006
Set of 3 dollies. Payload: 5 Tonnes



Accessories

Optional equipment



Adjustable jack stands

S32025	100 x 50
S32026	85 x 40
S32032	60 x 60



Winch support extension

S10020
Sold without winch



Walkway kit

S38002
for GS09 to GS16
S38003
for GS18 to GT16



Add-on roller

S33004*
Roller attached above the cross-member
S30021 | S32028*
Roller attached in front of the cross-member

ACCESSORIES

Accessories

Optional equipment



Strapping ring to clamp

S01972**



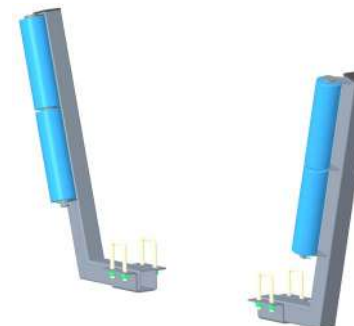
Electric Winch

S38018 2T5
S38019 2T5
S38017 3T



Strap & Support Strap

S40010
Clamp not included



Centring jack stands

S40027
CENTRING JACK STAND KIT
2021 D1657
S40026
CENTRING JACK STAND KIT
2021 D1655
S40029
CENTRING JACK STAND KIT
2021 D1618-D1628
S40028
CENTRING JACK STAND KIT
2021 D1611-D1616



Step

S01516**



Tipper lift

S01923B
1 per tipper



Removable winch bracket

S39005: Full
S39013: Plate



Partners



ATM Communication

As ATM Communication always aims to modernise and innovate in the field of photography at sea, with ever more technologically advanced on-board systems, without wishing to lose ground mobility to cover larger geographical areas, it seemed perfectly obvious to maintain the trailer partnership already begun with Sunway and its Fast Immersible range.



Chevalier Fish Team

Lionel and Mayeul Chevalier equipped their Nitro Z9 with a Fast Sun way trailer.

Their frequent trips across Europe (Holland, Spain etc) make them intensive users of their trailer.

" A very nice trailer despite the weight of our boat - remarkable. "



Vendée Globe 2020

Sun Way is a partner of HIGHFIELD, official partner of the Vendée Globe.



Route du Rhum

Sunway, in collaboration with the Highfield brand, will equip all the safety boats of the Route du Rhum organisers. A large-scale operation which is part of the continuity of our Vendée Globe partnership, in addition to the partnership with Romain Attanasio (Imoca FAMILLE MARY ETAMINE DU LYS) and Sam Davies (Imoca INITIATIVES COEUR).



Fiiish

The collaboration between Sunway and Fiiish was based on precise, demanding specifications: A trailer that can soak up very intensive use, resistant to an aggressive saline environment, fully submersible, so you can have confidence every time you launch or retrieve your boat, whatever the conditions.

The Breton brand uses a D1616 multi-roller trailer equipped with waterproof LED lights.



TRAILERS **TRIGANO**

Sun way

REMORQUES

www.sun-way.fr



Sun Way trailers